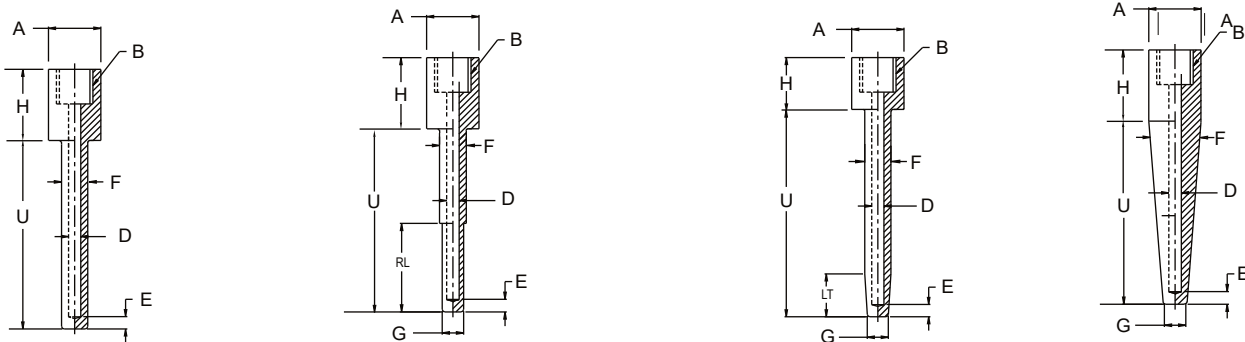



**Special Features**

- Design as per PTC 19.3
- These Thermowells are machined from solid bar stock and inserted into the process through direct welded attachment
- This design is suitable for all type of RTD's, Thermocouples, mechanical as well as Digital Thermometers
- Available in various shapes like Straight, Straight with reduced tip, Partial taper & full taper and various exotic materials

**Applications**

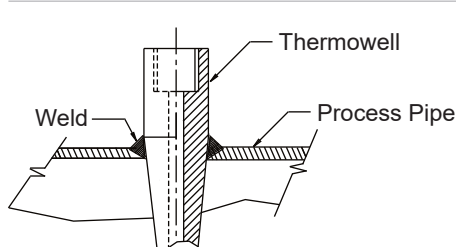
- Chemical Plants
- Petrochemical Plants
- Engineering Plants
- On Shore
- Off Shore & Other Similar Process Industries

**Thermowell Drawings**

**S - Straight**
**R - Straight Reduced Tip**
**P - Partial Taper**
**F - Full Taper**

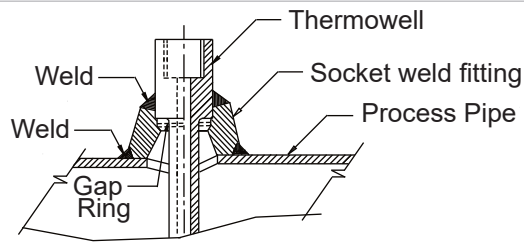
**A** - Finished Head Size  
**B** - Instrument Connection  
**F** - Major Diameter  
**D** - Bore Diameter

**E** - Tip Thickness  
**G** - Major Diameter  
**U** - Insertion Length  
**H** - Extension Length

**RL** - Reduced Tip Length  
**LT** - Taper Length

**Typical Thermowell Installation**


Weld in



Socket Weld

How To Order					Example
<b>Basic Model</b>					W7
<b>Type</b>					
S - Straight	R - Straight Reduced Tip	P - Partial Taper	F - Full Taper		X
<b>Material</b>					
LM AISI 316 SS	EP AISI 410 SS	LT Monel	LV Titanium		XX
LN AISI 316L SS	EQ AISI 347 SS	LU Inconel 600	LX Nickel		
LP AISI 304 SS	LO AISI 316Ti SS	ES Inconel 625	LY HRS 446		
ER AISI 304L SS	EO AISI 310 SS	ET Incolloy 800	LZ Alloy 20		
EN AISI 321 SS	LQ Carbon Steel	EU Incolloy 825	LS Hastelloy C		
Note : Other Materials are available on request.					
<b>Instrument Connection</b>					
4BF 1/2" BSP (F)	5TF 3/4" BSPT (F)	6NF 1" NPT (F)	3MF M18 x 1.5 (F)	6MF M24 x 1.5 (F)	XXX
4NF 1/2" NPT (F)	5NF 3/4" NPT (F)	6BF 1" BSP (F)	4MF M20 x 1.5 (F)	7MF M27 x 2 (F)	
4TF 1/2" BSPT (F)	5BF 3/4" BSP (F)	6TF 1" BSPT (F)	5MF M22 x 1.5 (F)	9MF M33 x 2 (F)	
4FF 1/2" PF (F)	5PF 3/4" G (F)	6PF 1" G (F)			
4PF 1/2" G (F)					
Note : Other Connections are available on request.					
<b>Extension / Lagging Length "H"</b>					
<b>50 mm (Standard)</b>					
Please specify in mm For e.g. : for length 50 mm, mention H50					XXX
(Refer Table 1.1 for selection of Head Size for Thermowell.)					
<b>Finished Head Size "A"</b>					XXX
Please Specify in mm					
e.g. : For 28 mm Finished head Size, Specify A28					
<b>Type Of Head</b>					
K HEX HEADED*		L ROUND HEADED			X
*Maximum "U" Length below thread will be 250 mm.					
<b>Bore Diameter "D"</b>					
A 6.6 mm	B 7 mm	C 8.5 mm	D 9 mm		X
E 10.5 mm	F 11 mm	G 13 mm	H 13.5 mm		
Note : Refer Table 1.3 of Thermowell Design Procedure for dimensions as per PTC 19.3					
<b>Major Diameter "F"</b>					
<b>Major Diameter "F"</b> Please specify in mm e.g. : for 22 mm, mention F22	<b>Major Diameter Of Step 'F'</b> Please specify in mm e.g. : for 22 mm, mention F22 <b>Minor Diameter Of Step 'G'</b> Please specify in mm e.g. : for 18 mm, mention G18  <b>Length Of Step 'RL'</b> Please specify in mm e.g. : for 100 mm step length from tip, specify RL100	<b>Major Diameter Of Taper 'F'</b> Please specify in mm e.g. : for 22 mm, mention F22 <b>Minor Diameter Of Taper 'G'</b> Please specify in mm e.g. : for 18 mm, mention G18  <b>Length Of Taper 'LT'</b> Please specify in mm e.g. : For taper length from tip of 150 mm, specify LT150	<b>Major Diameter Of Taper 'F'</b> Please specify in mm e.g. : for 22 mm, mention F22 <b>Minor Diameter Of Taper 'G'</b> Please specify in mm a. : for 18 mm, mention G18		XXX OR XXX OR XXXXX
Note : Refer Table 1.3 of Thermowell Design Procedure for dimensions as per PTC 19.3					

How To Order	Example														
<b>Tip Thickness “E”</b> Standard Tip Thickness is 5 mm. e.g. : Specify <b>E5</b> for 5 mm Tip Thickness. For others, please specify in mm.	XX														
<b>Insertion Length “U”</b> Please specify in mm e.g. : for 250 mm, mention <b>U250</b> Note : Refer Table 1.4 of Thermowell Design Procedure for dimensions as per PTC 19.3	XXXX														
<b>Options</b> <table border="0" style="width: 100%;"> <tr> <td><b>GG</b> Plug and chain in SS</td> <td><b>CX</b> Marking by Engraving</td> <td><b>SX</b> SS Tag Plate</td> </tr> <tr> <td><b>FW</b> Electro polishing</td> <td><b>CW</b> Marking by Laser</td> <td></td> </tr> </table>	<b>GG</b> Plug and chain in SS	<b>CX</b> Marking by Engraving	<b>SX</b> SS Tag Plate	<b>FW</b> Electro polishing	<b>CW</b> Marking by Laser		XX								
<b>GG</b> Plug and chain in SS	<b>CX</b> Marking by Engraving	<b>SX</b> SS Tag Plate													
<b>FW</b> Electro polishing	<b>CW</b> Marking by Laser														
<b>Tests &amp; Certification</b> <table border="0" style="width: 100%;"> <tr> <td><b>C1</b> Radiography for Bore Concentricity</td> <td><b>C8</b> Certification for Hydrogen Service</td> </tr> <tr> <td><b>C2</b> IBR Certification</td> <td><b>C9</b> Certification for Oxygen Service</td> </tr> <tr> <td><b>C3</b> Mechanical Test</td> <td><b>T1</b> Chemical Composition Test</td> </tr> <tr> <td><b>C4</b> Ultrasonic Test</td> <td><b>T2</b> 3.1B Material Conformity Certificate</td> </tr> <tr> <td><b>C5</b> PMI Test</td> <td><b>TF</b> Conformity as per NACE standard</td> </tr> <tr> <td><b>C6</b> IGC Test</td> <td><b>H1</b> Hydro Test</td> </tr> <tr> <td><b>C7</b> Wake Frequency Calculations as per PTC 19.3*</td> <td></td> </tr> </table>	<b>C1</b> Radiography for Bore Concentricity	<b>C8</b> Certification for Hydrogen Service	<b>C2</b> IBR Certification	<b>C9</b> Certification for Oxygen Service	<b>C3</b> Mechanical Test	<b>T1</b> Chemical Composition Test	<b>C4</b> Ultrasonic Test	<b>T2</b> 3.1B Material Conformity Certificate	<b>C5</b> PMI Test	<b>TF</b> Conformity as per NACE standard	<b>C6</b> IGC Test	<b>H1</b> Hydro Test	<b>C7</b> Wake Frequency Calculations as per PTC 19.3*		
<b>C1</b> Radiography for Bore Concentricity	<b>C8</b> Certification for Hydrogen Service														
<b>C2</b> IBR Certification	<b>C9</b> Certification for Oxygen Service														
<b>C3</b> Mechanical Test	<b>T1</b> Chemical Composition Test														
<b>C4</b> Ultrasonic Test	<b>T2</b> 3.1B Material Conformity Certificate														
<b>C5</b> PMI Test	<b>TF</b> Conformity as per NACE standard														
<b>C6</b> IGC Test	<b>H1</b> Hydro Test														
<b>C7</b> Wake Frequency Calculations as per PTC 19.3*															
*Please Specify Fluid, Max. Pressure, Temperature & Flow velocity for wake frequency calculations as per PTC 19.3															
<b>Ordering Example:</b> <b>W7 . X . XX . XXX . XXX . XXX . X . X . XXX OR XXX OR XXXXX . XX . XXXX . XX</b>															

**Note** : Specifications and dimensions given in this product catalogue represents the state of engineering at the time of printing .  
 Modifications may take place and materials specified may be replaced by others without prior notice.